



Vortex Meter VTX2



Vortex meter from the VTX2 series,
Flange design (left) & Sandwich design (right)

VTX2, the new generation

Convincing through numerous benefits

An excellent flow meter designed for your process

- » Extremely rugged and stable
- » Excellent metrological characteristics
- » Smart electronics measurement of the volume in the operational state

Patented sensor for reliable sensing of vortices

- » Excellent vibration compensation
- » Insensitive to pulsations, pressure bursts and temperature shock
- » Suited for high media temperatures
- » Rugged and maintenance-free
- » With piezoelectric sensor
- » Sensor design independent of nominal width
- » Highest possible application flexibility
- » No re-calibration required when replacing the sensor

Modern and user-friendly electronics

- » With auto-adaptive digital signal processing
- » Two-wire system, thus easy to install
- » Three independent and simultaneously usable signals (analog, HART and pulses)
- » With 4 – 20 mA output or current pulse output (divided / decade range) for remote counting or 1:1 (vortex frequency)
- » With additional pulse output acc. to NAMUR
- » With large eight digit up front
- » With clearly key pad for easy operation
- » Communication using modern software tools (PACTware, AMS)
- » With HART – protocol

Principle of measurement

When a liquid or gaseous medium flows around an object, the medium will be capable of following the contour of the object only to a limited extent and to a certain point at the object's surface. Thereafter the flow will stall and behind the object vortices will form which are entrained in the downstream flow about the object's axis whereby the vortices rotate in opposing directions. Thus vortex street is produced. This effect has for a long time now been known as "Karman vortex street". The frequency of the emerging vortices is proportional to the velocity of the flow.

In the vortex meter from the VTX2 series, a trapezoidal object is used to generate the vortices. This ensures in the instance of both fluid and gaseous media as well as vapours a precise and highly reliable generation of the vortices.

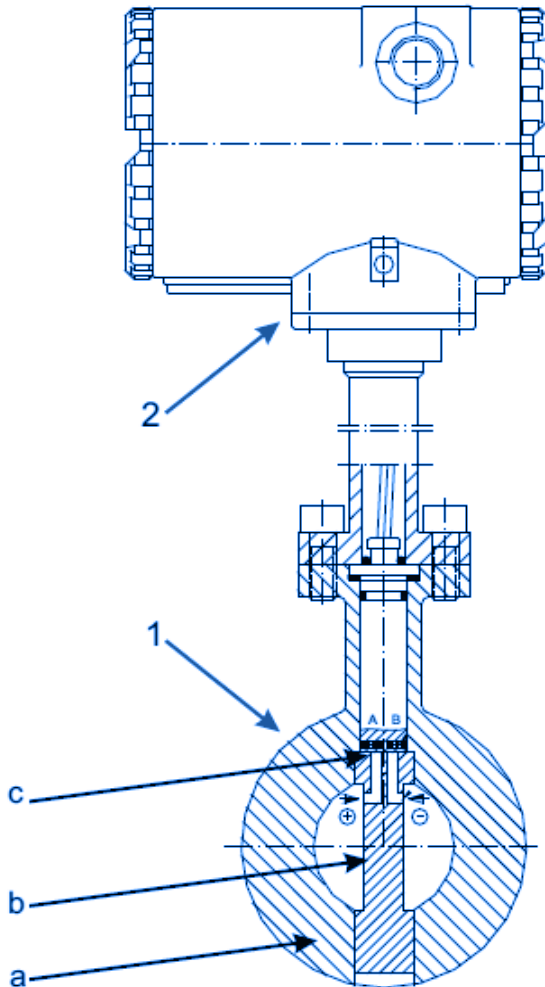
By suitably designing the bluff body with a well-defined edge at which the vortices form, excellent linearity can be ensured. The vortices forming at the bluff object and rotating downstream in opposing directions to each side of the axis give rise to local changes in velocity and pressure which may be detected by a piezoelectric sensor and which are then converted by the sensor electronics with autoadaptive microprocessor controlled filtering in to standardized signals.



Vertex street observed downstream of a bluff delta-shaped object with sharp edge

Design

The vortex meter is composed of a sensor (measuring ring, bluff body, piezoelectric sensor) and the measurement transducer. The measuring ring is available as standard for nominal widths 15 to 300; larger nominal widths upon request. As a recommended option the vortex meter can be manufactured and tested complete with inlet and outlet.



1 Sensor unit consisting of

- a Measuring ring
- b Bluff body
- c Piezoelectric sensor

and

2 Measurement transducer

Table of measurement ranges

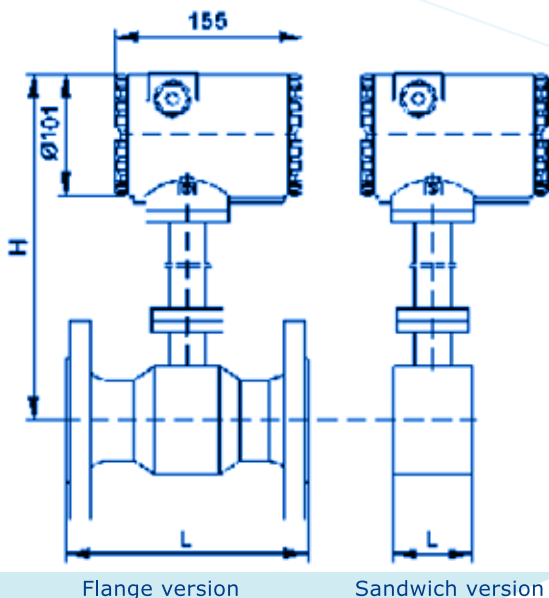
DN mm	Gas / vapour [m ³ /h]		Liquid [m ³ /h]	
	Starting value	Full scale value	Starting value	Full scale value
15	2	25	0,4	8
25	5	130	1,0	20
40	10	330	2,5	50
50	15	560	4	80
80	40	1600	6	180
100	60	2300	10	300
150	130	5300	20	600

Specifications

Measurement range	2 – 2300 m ³ /h for gas/vapour 0,4 – 300 m ³ /h for liquids
Output	4-20 mA/HART or current pulses In addition scalable pulse output acc. to NAMUR
Deviation of the measurements	+/- 1.5% v. of meas. Value for gas / vapour* +/- 1% v. of meas. Value for liquids*
Conditions of usage	as to the conditions of usage the guidelines of VDI/VDE must be Taken in to account
Fitting position	horizontal or vertical
Ambient temperature limits	-40 °C to + 70 °C
Stocking temperature	-40 °C to + 70 °C
System of protection	IP 67
Temperature limits for the material measured	-40 °C to + 260 °C (-200 °C to + 350 °C upon request)
Material	Sensor unit: sensor + bluff body Stainless steel: measurement ring Measurement transducer: casing: cast aluminium
Process connection	DN 15 – 100 (larger connections upon request) PN 10 to 40
Electrical connection	Power supply 24 VDC, two-wire system, Optionally additional output acc. to NAMUR M20x1,5, NPT
Display	eight digit LC display (optional)
Certificates and approvals	CE conformity EMV-Guidelines 89/336/EWG, DIN EN 61000-6-2, DIN EN 61000-6-3 As well as NAMUR NE 21 Ex approvals: DMT 99 ATEX E 078 X II 1/2G EEx ia IIC T6

*at reference conditions

Type/dimensions



Flange version

Sandwich version

Flange version

DN	L	H
15	200	335
25	20	330
40	200	340
50	200	340
80	200	355
100	250	370
150	300	395

Dimensions in mm

Sandwich version

DN	L	H
15	65	335
25	65	330
40	65	340
50	65	340
80	65	355
100	65	370
150	90	395

Dimensions in mm

*Subject to modification without notice

TOSHNIWAL HYVAC PVT. LTD.

4-D/6 Industrial Estate Ambattur Chennai - 600 058 India. Ph: 91-44-2625 1977 / 1452 Fax: 91-44-2625 9377
Email: sales@toshniwal.net / Web: www.toshniwal.net